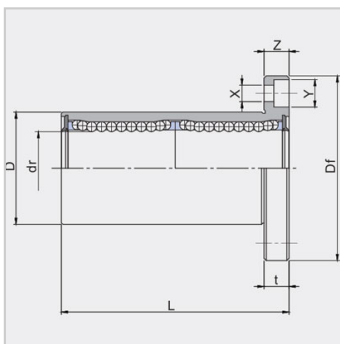
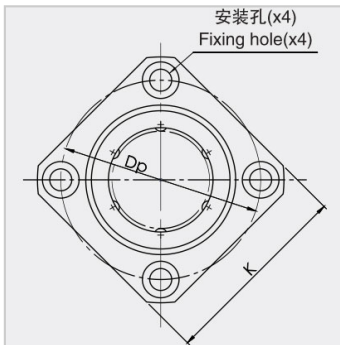
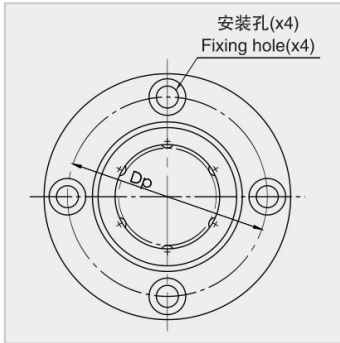


Linear Bearing Short And Medium Series

LMTF(K)...L Series-LMTK25LUULMTF25LUU

参数信息:



| | |
|---|---------------|
| Nominal Shaft diameter mm : | 25 |
| Middle Round Flanged Type LMTF...LUU : | LMTF25LU U |
| Weight(g) : | 456 |
| Middle Square Flanged Type LMTK...LUU : | LMTK25LU U |
| Weight(g) : | 417 |
| Number of rows : | 6 |

Major dimensions and tolerance :

| | |
|------|--------|
| dr : | 25 |
| dr : | 0/-12 |
| D : | 40 |
| D : | 0/-19 |
| D : | 0/-25 |
| L : | 83 |
| L : | 0/-400 |

Flange :

| | |
|---------|-----|
| Df mm : | 62 |
| K mm : | 50 |
| t mm : | 8 |
| Dp mm : | 51 |
| X mm : | |
| Y mm : | 9 |
| Z mm : | 5.1 |

Eccentricity : 20

Squareness : 20

Load ratings :

| | |
|----------------|------|
| Dynamic Load : | 1725 |
|----------------|------|



Static load ratings N : 3068

: