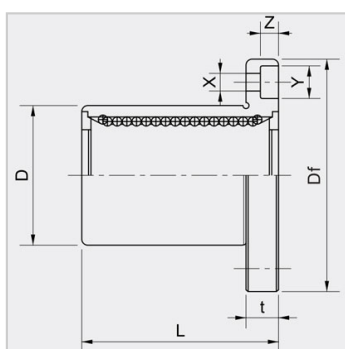
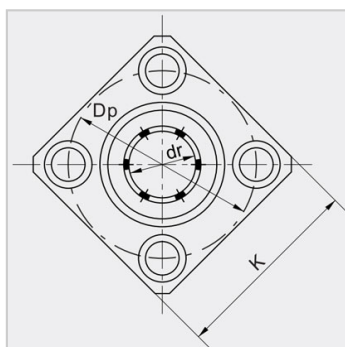
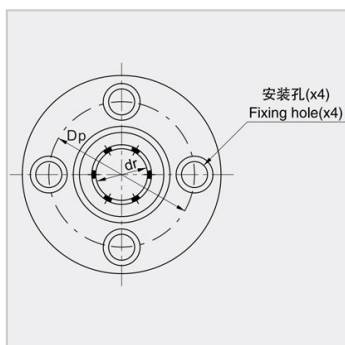


Linear Bearing with Steel Cage

LMEF(K)...GA Steel cage-LMEF16GA

参数信息:



| | |
|-----------------------|----------|
| Nominal diameter mm : | 16 |
| Circular flange : | LMEF16GA |
| Weight (g) : | 119.5 |
| Square flange : | LMEK16GA |
| Weight (g) : | 106.5 |

Main dimensions and tolerances :

| | |
|------------------------|--------|
| dr mm : | 16 |
| Dr tolerance μ M : | 9/-1 |
| D mm : | 26 |
| Dr tolerance μ M : | 0/-9 |
| L mm : | 36 |
| L tolerance mm : | 0/-200 |
| Df mm : | 46 |
| K mm : | 35 |
| t mm : | 6 |
| Dp mm : | 36 |
| X mm : | 4.5 |
| Y mm : | 7.5 |
| Z mm : | 4.1 |
| Eccentricity μ M : | 12 |
| Verticality μ M : | 12 |

Rated load :

| | |
|--------------------|-----|
| Dynamic load C N : | 578 |
| Static load Co N : | 892 |



: